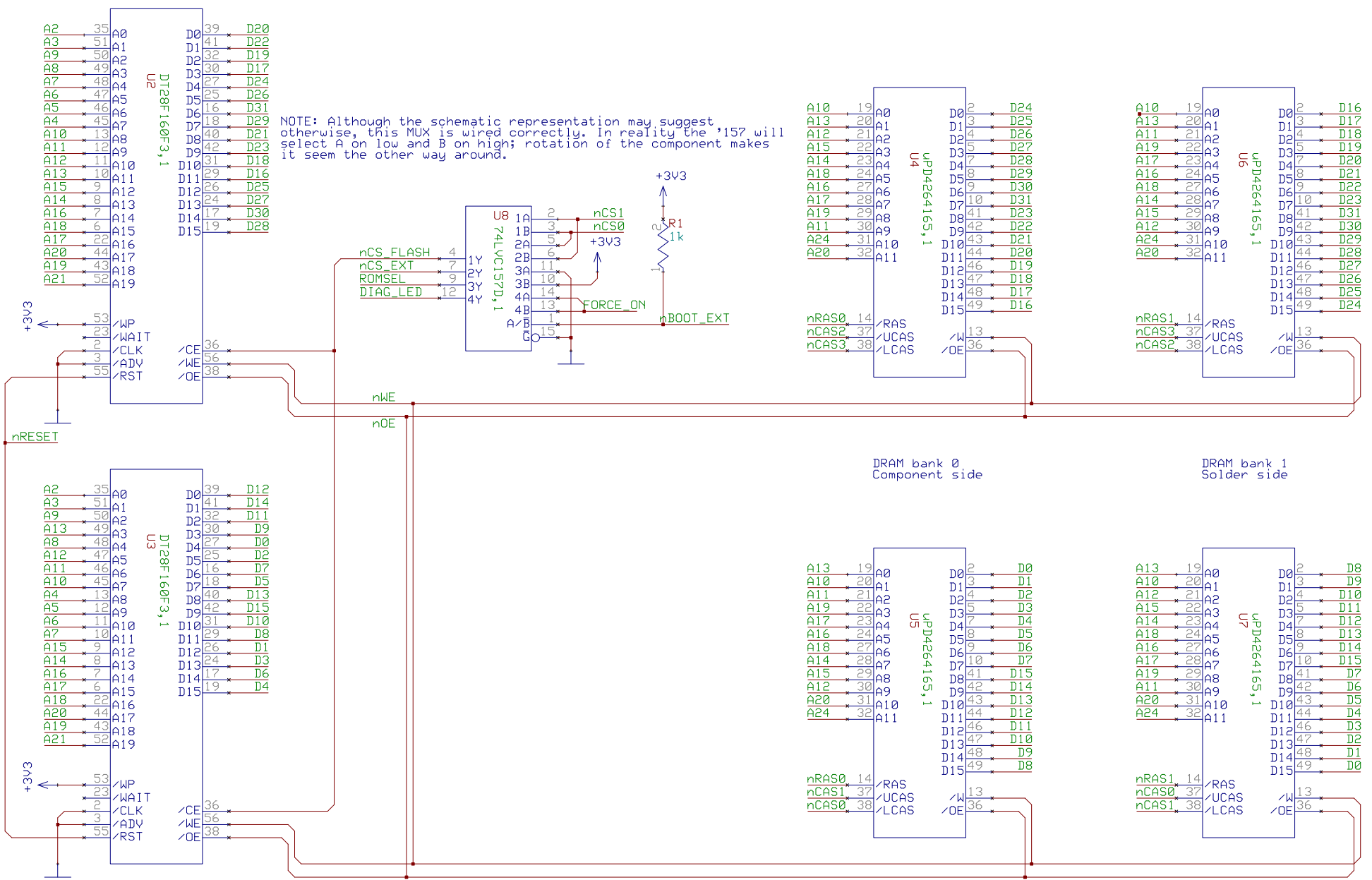


SA-1100,1
U1

LART Processor
REV 3 20000202 (C)JDB



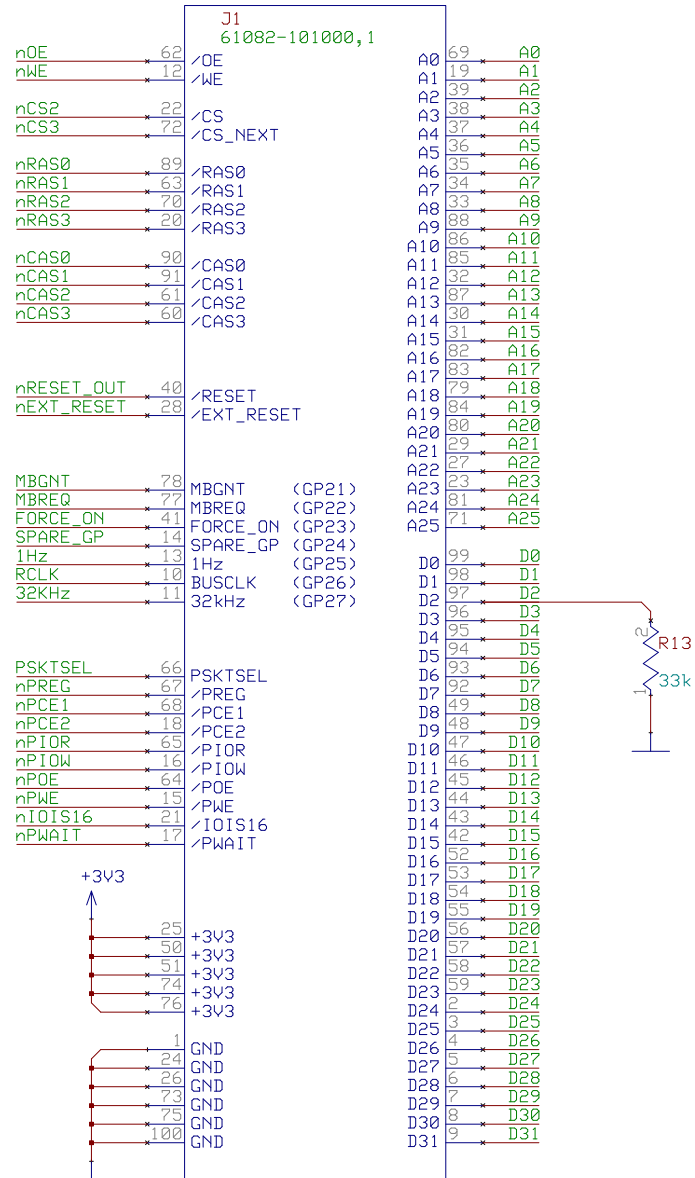
Flash VCC: 1, 21, 28, 33, 54
 Flash GND: 4, 15, 20, 37
 Flash NC : 5, 14, 34

DRAM VCC: 1, 6, 12, 25
 DRAM GND: 26, 39, 45, 50
 DRAM NC : 11, 15, 16, 17, 18, 33, 34, 35, 40

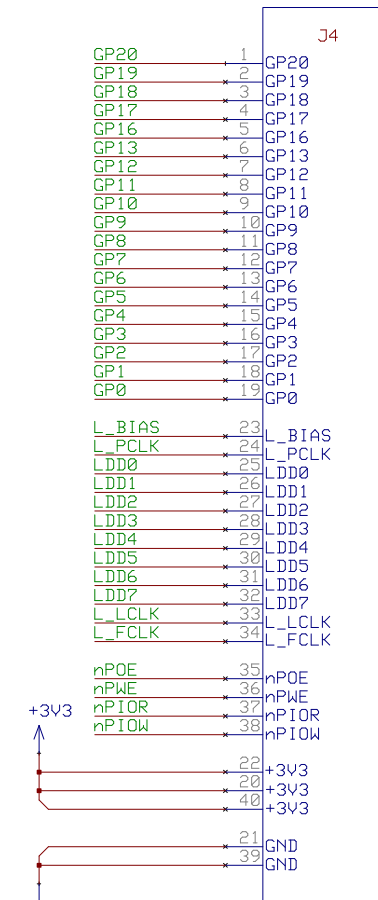
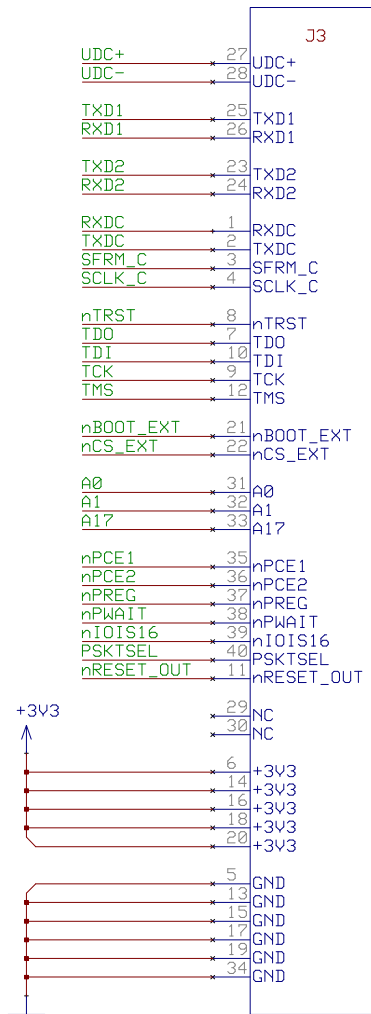
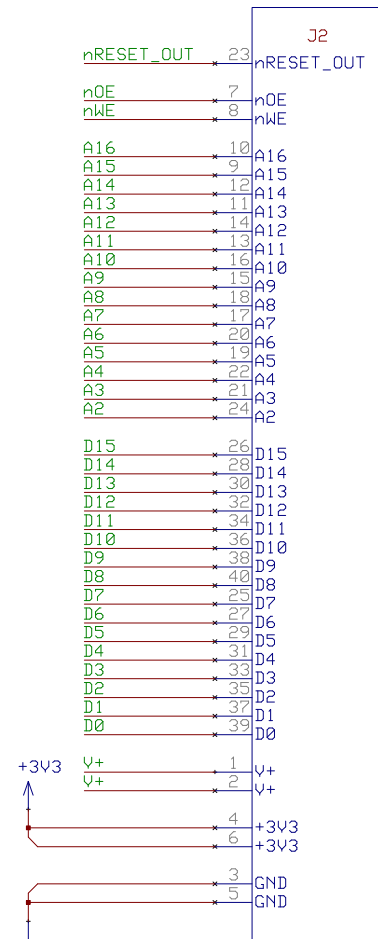
LART Memory

REV 3 20000202 (C)JDB

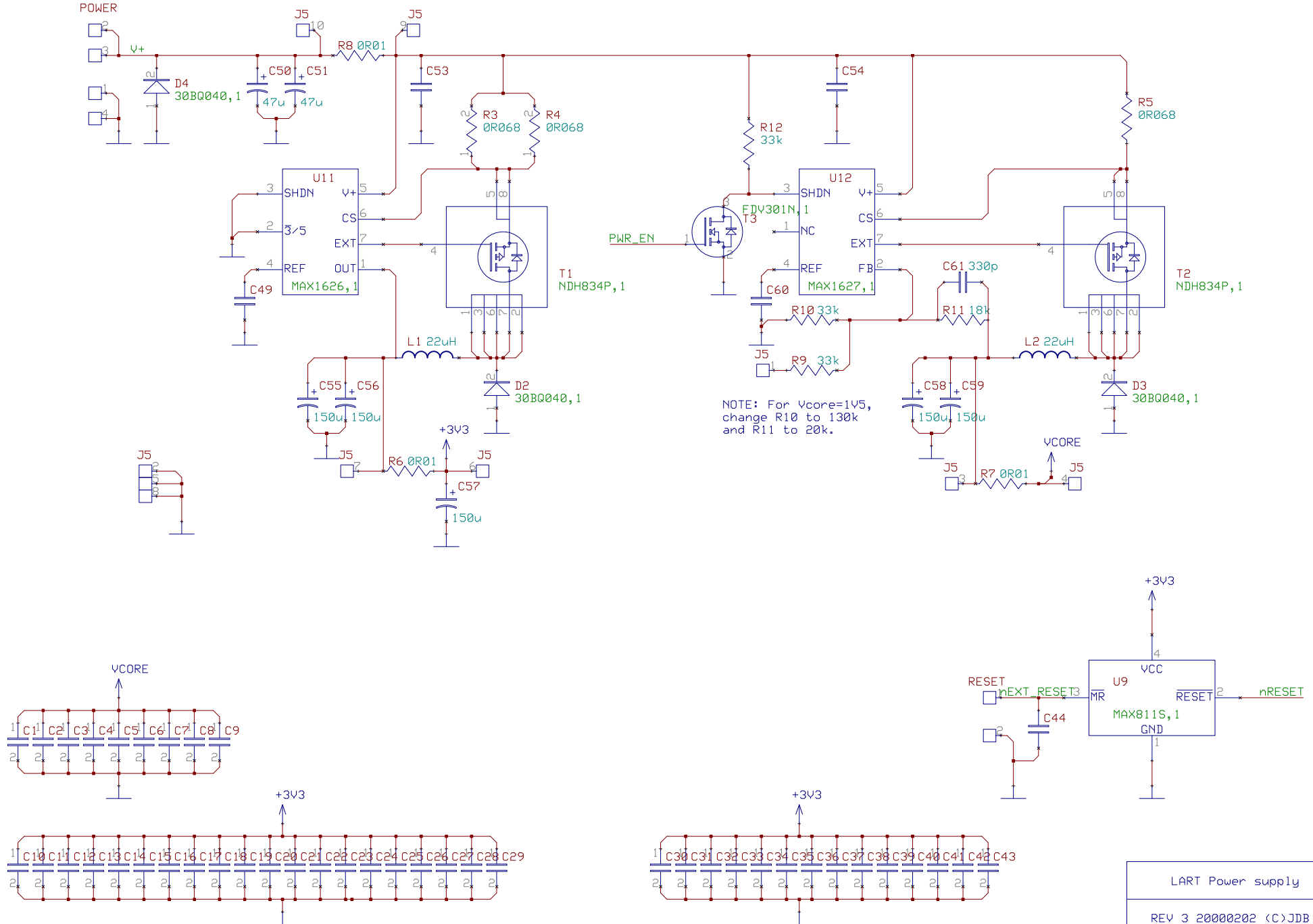
NOTE: on the REV 1 proto boards,
pin 41 (FORCE_ON/GP23) is hardwired
to GND.



LART High speed connector
REV 3 20000202 (C)JDB



POWER



LART Power supply
REV 3 20000202 (C)JDB

